

- 30W USB-C (PD)
USB-A (QC 3.0)
- POWER
OUTLET
- USB CHARGING
PORTS(30W)
- ERGONOMIC
DESIGN
- EASY
TO INSTALL



STS-R90-4
In-desk power grommet
30W USB-C (PD) & USB-A (QC 3.0) charger

STS-R90-4 In-desk power grommet with A+C USB charger

■ KEY FEATURES:



Power Up Your Workspace

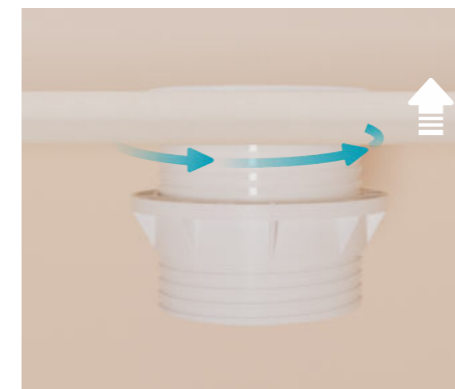
Eliminate wire clutter and power up your devices with this compact flush mount power grommet. Featuring a dual port USB A+C charger with 30W (max) output and support for fast charging protocols, including PD and QC 3.0, this grommet provides a convenient and efficient charging

*Refer to the below specifications chart



Optimized Charging

Enjoy effortless charging with this power grommet's intelligent charging technology. The USB-C port features Power Delivery (PD) support, ensuring fast and efficient charging for compatible devices. The USB-A port supports Quick Charge 3.0, providing a rapid charging solution for compatible devices. Each port automatically detects the charging needs of your connected device, delivering the optimal current for a seamless charging experience.



Effortless Installation

Designed for simple installation, this power grommet seamlessly integrates into your workspace. Its compact size allows for easy mounting on a standard Ø80mm circular grommet hole, ensuring a quick and hassle-free setup.

STS-R90-4 In-desk power grommet with A+C USB charger

SPECIFICATIONS:

Model No:	STS-R90-4
Colors available:	White/ Black
Material:	PC
Configuration:	1xType 45 series Power module + 1xDual-port USB charger (Type-A + Type-C)
Rated Voltage range:	100V~240V AC, 50Hz/60Hz 0.8A
USB output:	Type-A: 5V=3A, 9V=2A, 12V=2.35A, 20V=1.35A, 28W Max Type-C: 5V=3A, 9V=2A, 12V=2.5A, 15V=2A, 20V=1.5A, 30W Max Type-A + Type-C: 5V=3A, 15W Max
Protocol:	PD QC 3.0
Mounting grommet hole:	Ø80mm *Refer to the structure chart
Available power connection type:	IEC power inlet, GST power inlet, Pre-wired power cable with preferred plug
Application:	Co-working spaces, offices, cafes, or airport lounge

TYPE 45 SERIES POWER MODULE OPTION:



INSTALLATION STEPS:



Make a cutout of diameter Ø80mm on the desired surface.

STEP 1

Remove the locking ring from the unit. Feed the power cord through the grommet hole.

STEP 2

Fix the unit into the hole.

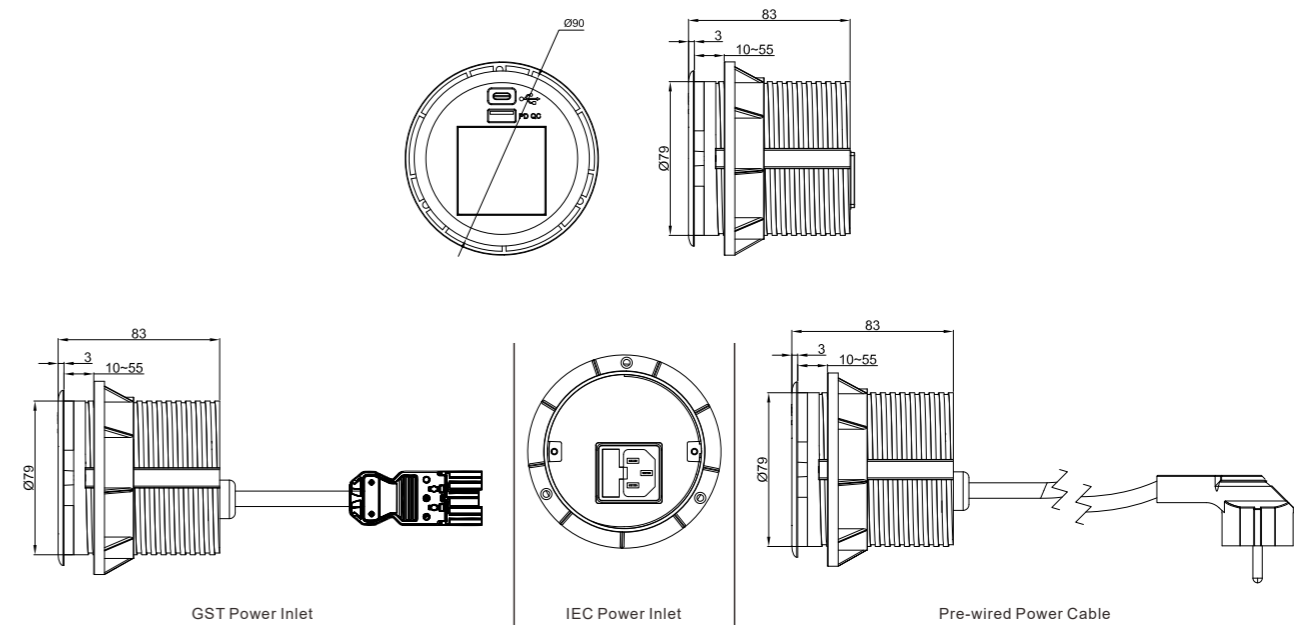
STEP 3

When in place, secure the unit from under the desk by screwing back the locking ring.

STEP 4

STS-R90-4 In-desk power grommet with A+C USB charger

DIMENSIONS:



*Product images are for illustrative purposes only and may differ from the actual product.

You can follow us:



SINOAMIGO ELECTRIC CO., LIMITED
A5 Building, Sulv Industrial Zone, Yueqing City, Zhejiang Province 325604

tel 0086-577-62719577 | fax 0086-577-6173 0882